

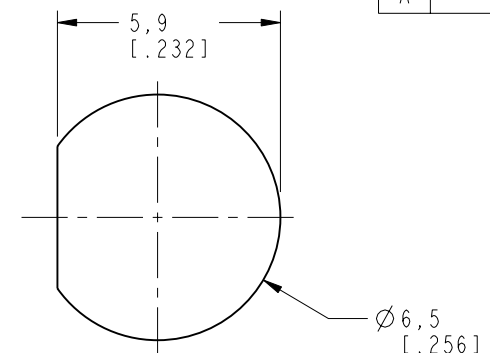
NOTES:

1. MATERIALS AND FINISHES:
 BODY - BRASS, GOLD PLATING.
 CONTACT - BeCu, GOLD PLATING.
 INSULATOR - PTFE, NATURAL
 NUT - BRASS, NICKLE PLATING
2. ELECTRICAL:
 A. IMPEDANCE: 75 OHM
 B. FREQUENCY RANGE: DC-18 GHz
 C. RETURN LOSS (VSWR): -25dB (1.12) MAX DC-6 GHz
 -20dB (1.22) MAX 6-12 GHz
 D. DIELECTRIC WITHSTANDING VOLTAGE: 1000 VRMS, MIN.
3. MECHANICAL:
 A. DURABILITY: 500 CYCLES MIN.
 B. TEMPERATURE RANGE: -65° C TO +165° C
4. PACKAGING:
 A. QUANTITY: SINGLE PACK
 B. MARKING: BAG TO BE MARKED:
 "AMPHENOL RF, 34-1028-12G DATE CODE"

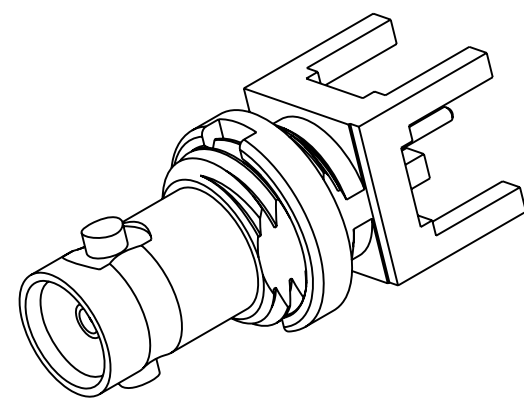
THIRD ANGLE PROJ.

REVISIONS

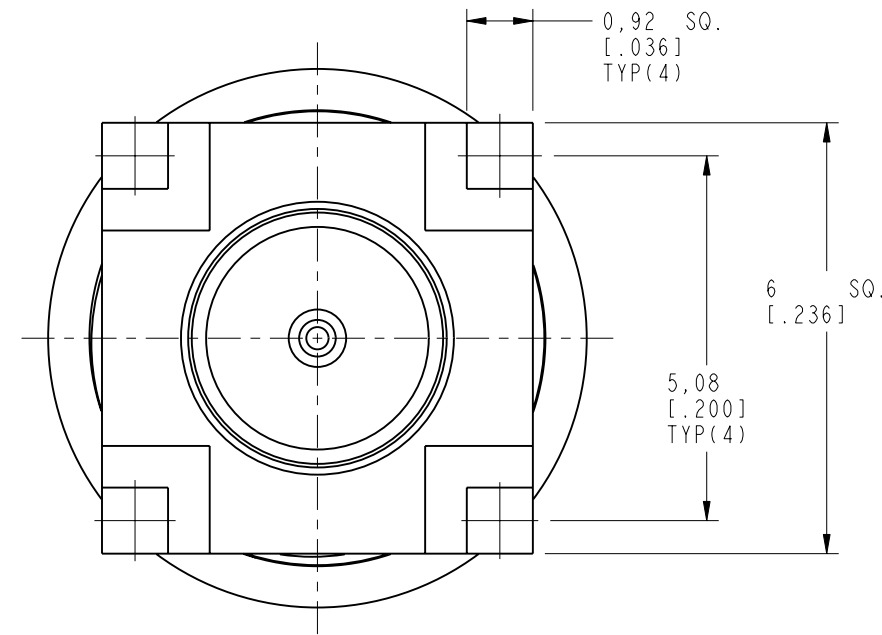
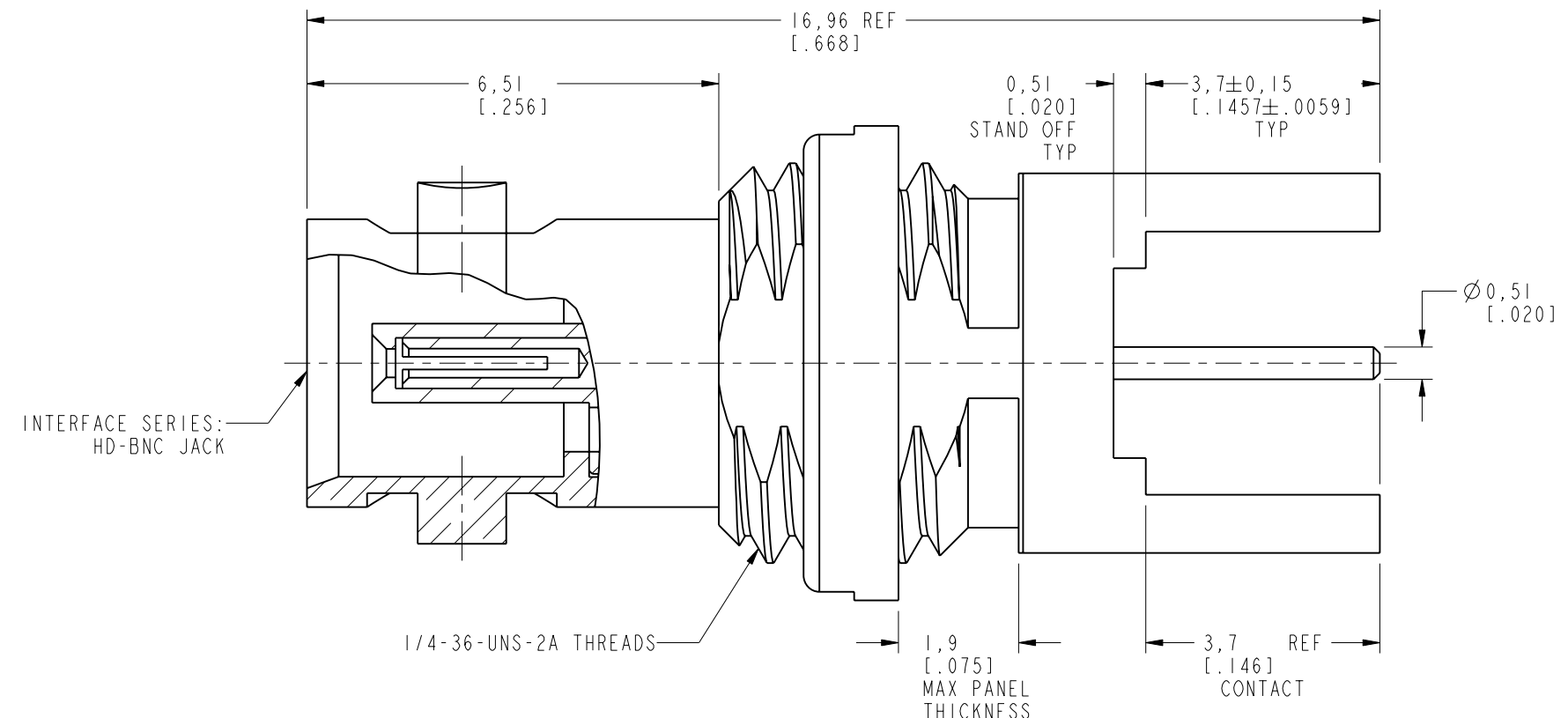
| REV | DESCRIPTION | DATE | ECN | APPR |
|-----|-----------------|-----------|------|------|
| A | RELEASE TO MFG. | 09-Apr-18 | 7181 | RM |



SCALE 5.000
RECOMMENDED PANEL CUTOUT
DIMENSIONS



SCALE 4.000



CUSTOMER OUTLINE DRAWING

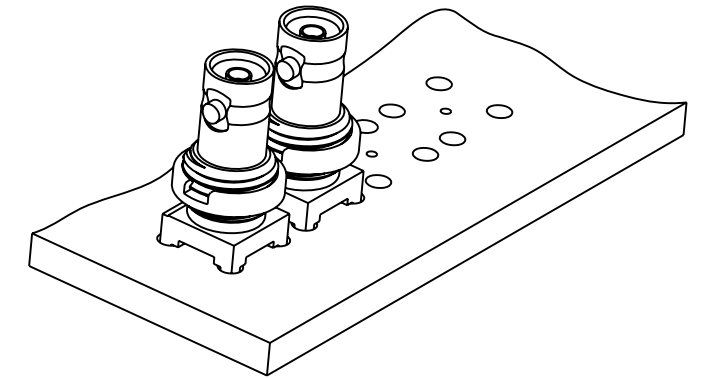
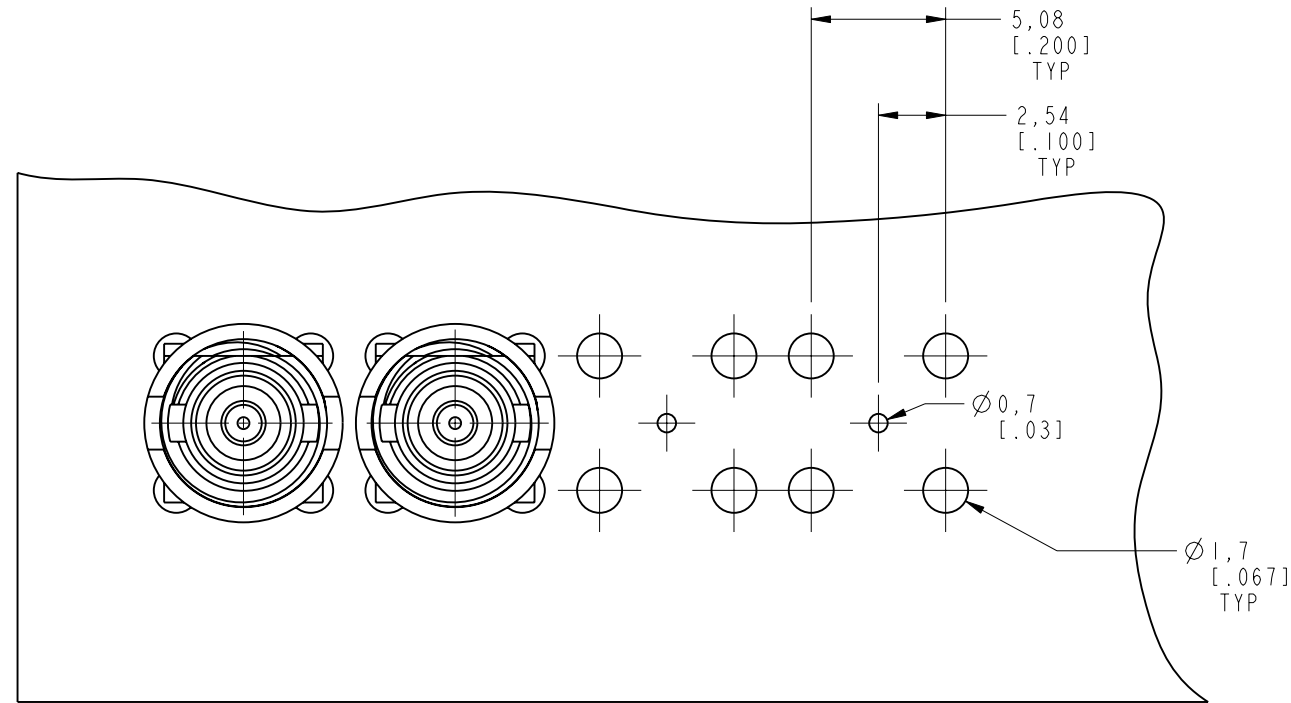
ALL OTHER SHEETS ARE FOR INTERNAL USE ONLY

| | | | | | |
|---|------------------|--------------|------------|-----------------------------|--|
| UNLESS OTHERWISE SPECIFIED, DIMENSIONS ARE IN METRIC AND TOLERANCES ARE: <0.5mm ± 0.05mm 0.5 - 6mm ± 0.1mm 6 - 30mm ± 0.2mm 30 - 120mm ± 0.3mm ANGLES ± 1° | MATERIAL | DRAWN | DATE | TITLE | Amphenol RF www.amphenolrf.com DRAWING NO. 34-1028-12G ITEM NO. 34-1028-12G PART NO. 34-1028-12G |
| | SEE NOTES | B. GREENBAUM | 27-Nov-17 | HD-BNC STR BHD JACK | |
| | REFERENCE | ENGINEER | DATE | RECEPTACLE | |
| | EAR# 8093 | B. GREENBAUM | 27-Nov-17 | THRU HOLE PCB | |
| | REF: 34-1018-12G | APPROVED | DATE | SCALE: 9.5:1.0 SHEET 2 OF 3 | |
| CONFIGURATION LEVEL: In Work | S.SHSIEH | 09-Apr-18 | DWG SIZE B | REV A | |
| FINISH | | | | | |

THIRD ANGLE PROJ.

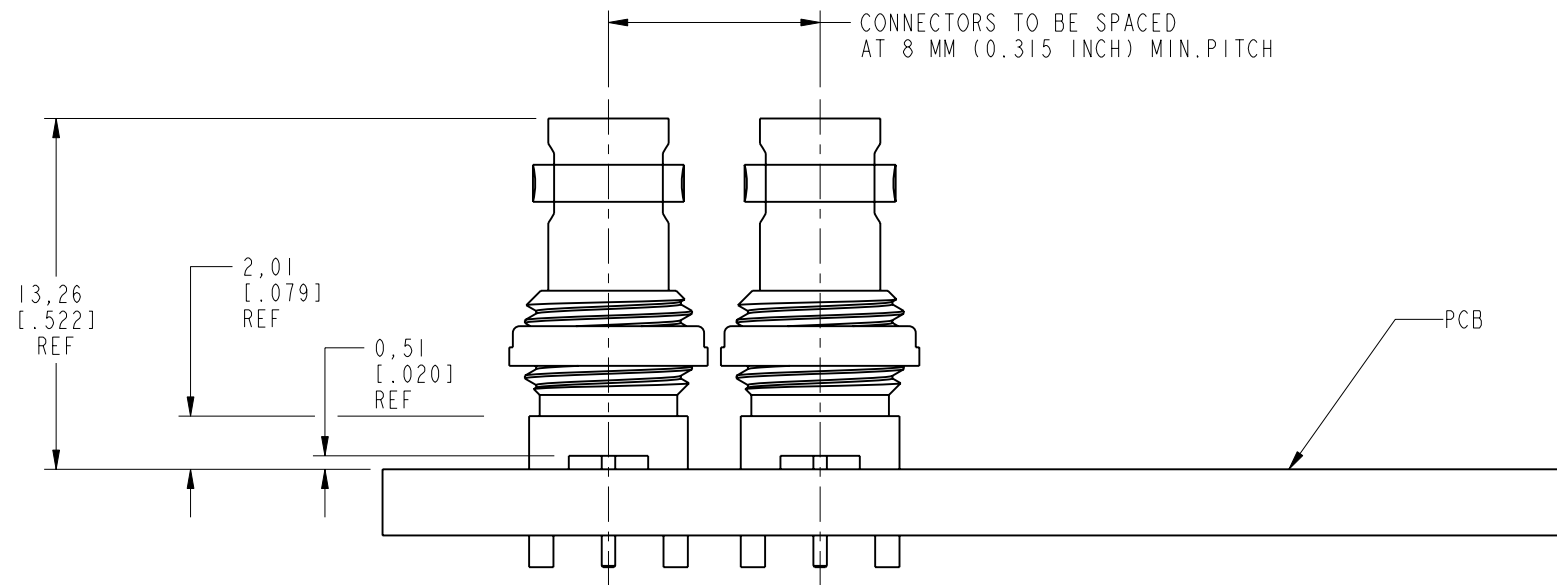
REVISIONS

| REV | DESCRIPTION | DATE | ECN | APPR |
|-----|-----------------|-----------|------|------|
| A | RELEASE TO MFG. | 09-Apr-18 | 7181 | RM |



SCALE 2.000

RECOMMENDED PCB MOUNTING HOLES



CUSTOMER OUTLINE DRAWING

ALL OTHER SHEETS ARE FOR INTERNAL USE ONLY

UNLESS OTHERWISE SPECIFIED, DIMENSIONS ARE IN METRIC AND TOLERANCES ARE:
 <0.5mm ±0.05mm 0.5 - 6mm ±0.1mm 6 - 30mm ±0.2mm 30 - 120mm ±0.3mm ANGLES ±1°

NOTICE - These drawings, specifications, or other data (1) are, and remain the property of Amphenol corp. (2) must be returned upon request; and (3) are confidential and not to be disclosed to any person other than those to whom they are given by Amphenol Corp. the furnishing of these drawings, specifications, or other data by Amphenol Corp., or to any other person to anyone for any purpose is not to be regarded by implication or otherwise in any manner licensing, granting rights to permitting such holder or any other person to manufacture, use or sell any product, process or design, patented or otherwise, that may in any way be related to or disclosed by said drawings, specifications, or other data.

| | | | | | | | | |
|----------------------|------------------|----------|--------------|------|-----------|----------------|--|-----------------------------------|
| MATERIAL | - | DRAWN | B. GREENBAUM | DATE | 27-Nov-17 | TITLE | HD-BNC STR BHD JACK RECEPTACLE THRU HOLE PCB | Amphenol RF www.amphenolrf.com |
| REFERENCE | EAR# 8093 | ENGINEER | B. GREENBAUM | DATE | 27-Nov-17 | | | |
| | REF: 34-1018-12G | APPROVED | S. HSIEH | DATE | 09-Apr-18 | SCALE: 3.5:1.0 | SHEET 3 OF 3 | DRAWING NO. 34-1028-12G |
| CONFIGURATION LEVEL: | In Work | CAD FILE | | | | DWG SIZE | REV | ITEM NO. 34-1028-12G |
| FINISH | | | | | | B | A | PART NO. 34-1028-12G |